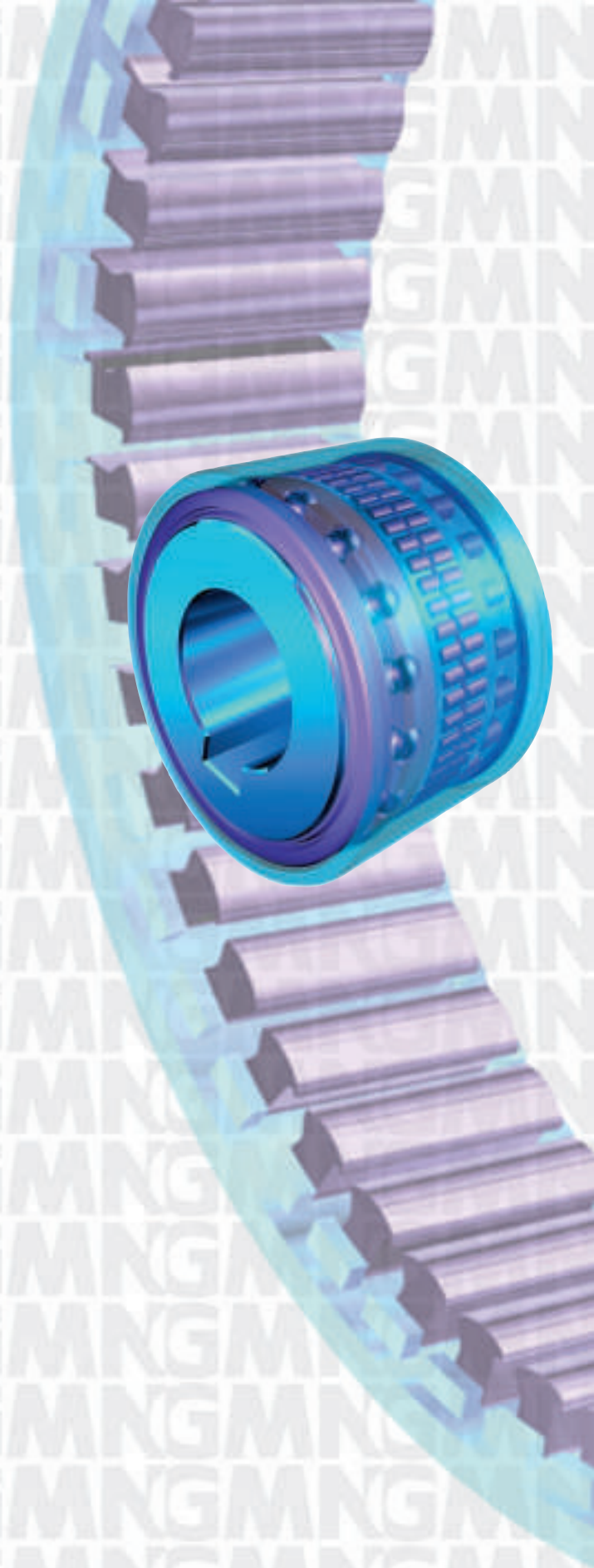


SPRAG-TYPE FREEWHEEL-CLUTCHES



GMN **GMN**



Contents – Technical Advice	2
Series 400 – 8000 2 Product Lines for any Shaft Diameter	3
Series 400 – Survey of Types	4
Basic Information Freewheel-Clutch Function	5/6
Basic Information Freewheel-Clutch Determination	7 – 9
Installation	10
Mounting	11
Freewheel-Clutches Dimensions	12 – 17
Insert Element without Bearing	12
Roller Bearing	13
Press Fit at Inner and Outer Ring	14
Keyway at Inner Ring and Press Fit at Outer Ring	15
Ball Bearing Sizes	16
Back Stop with Momentum Lever	17
Lubrication	18/19
Application and Installation	20/21
Tolerance Table	22
Technical Advice Conversion Factors	23

The standard shaft diameters covered by Type Series 400 reach from 2 to 80 mm depending on the single design. If your requirements exceed the maximum shaft sizes shown in the tables of dimensions please contact our technical staff to find the right solution without any obligation.

GMN is the trademark of the products of Paul Müller GmbH & Co. KG Unternehmensbeteiligungen.

Catalog information represents the technical standards of today – January 1998. Changes based on technical progress reserved.

4 Characteristics and 3 Important Benefits

GMN produce Sprag-Type Freewheel-Clutches only.

These products have proven their reliability in high standard applications all over the world throughout decades.

There are some very special reasons for the high reliability of GMN-Clutches of Series 400:

1. The logarithmic spiral
2. Perfect spring loading
3. Small space requirements
4. Large number of sprags

which result in 3 very important benefits:

1. High accuracy
2. High torque capacity
3. Long life

For leading these benefits to perfect performance and maximum life some prerequisites have to be fulfilled by the user of our clutches.

We give some guide lines regarding: design of mating parts on pages 8 and 9, mounting fits on page 10, lubrication on pages 18 and 19.

If in doubt, please do not hesitate to contact the technical staff for more detailed information.

Type Series 8000

Based on a 8.33 mm high, newly developed sprag we just offer insert elements and customer oriented specials. Further type ranges with hardened and ground race rings, with and without bearing support are subject to design and development.

Just now we serve shaft sizes from 38 mm to 130 mm. other sizes on request. There are inch sizes available too.



Sprags Height and Shaft Sizes

Type series 400 is based on a 4 mm high sprag. It offers clutches for shaft diameters from 2 to 80 mm. For larger shafts GMN offer the series 8000. Please see on bottom.

Important Applications

Out of a large variety of applications our clutches are used for in many countries, we demonstrate a survey of the most important one's:

- Conveyers (Back Stopping)
- Conveyers (Speed Compensation)
- Copiers (Paper Feeding)
- Diesel Engines (Starter Handle)
- Furniture Production (Glue Roller Drive)
- High Voltage Switches
- Mixers (Safety Clutch)
- Motor Bikes (Automatic Gear)
- Packaging Machines (Overrunning Clutch)
- Paper Handling (Material Feed)
- Printing Presses (Ink Roller Drive)
- Sowing Machines (Seed Feeder)
- Textile Machines (Material Feed)
- Winches (Back Stop).



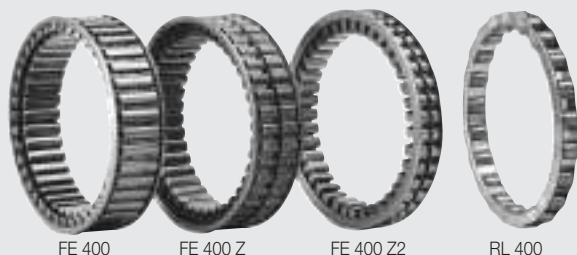
Please get a first impression on this new source for clutch applications for medium sized shafts – Series 8000 – by asking for catalog 9015 E.

Freewheel-Clutch

as an insert element, unsupported

Roller Bearing RL 400

Clutch support bearing



FE 400 (M)	Shaft diameter of 14 to 80 mm
FE 400 Z	Shaft diameter of 4 to 80 mm
FE 400 Z2	Shaft diameter of 2 to 60 mm
RL 400	Roller Bearing Shaft diameter of 4 to 80 mm

Ball Bearing Freewheel-Clutch

with pressfit at inner and outer ring

Dimensions according to deep groove ball bearings DIN 625 bearing series 62

Clutch-Series FK 62 . .

Same sizes available with keyway too.

Clutch-Series FKN 62 . .

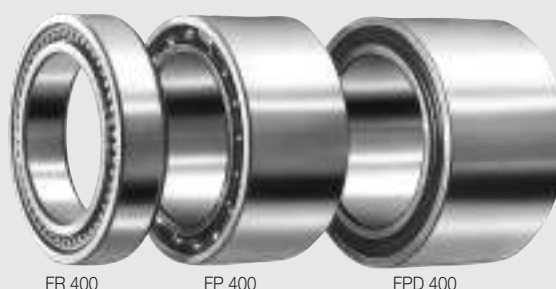


FK 6203	shaft diameter 17 mm
FK 6203-RS	single seal
FK 6204	shaft diameter 20 mm
FK 6204-RS	single seal
FK 6204-2RS	double seal
FK 6205	shaft diameter 25 mm
FK 6205-RS	single seal
FK 6205-2RS	double seal
FK 6206	shaft diameter 30 mm
FK 6206-2RS	double seal
FK 6207	shaft diameter 35 mm
FK 6207-2RS	double seal
FK 6304-2RS	shaft diameter 20 mm double seal

Same sizes available with keyway too. Except FK 6304-2RS

Freewheel-Clutch

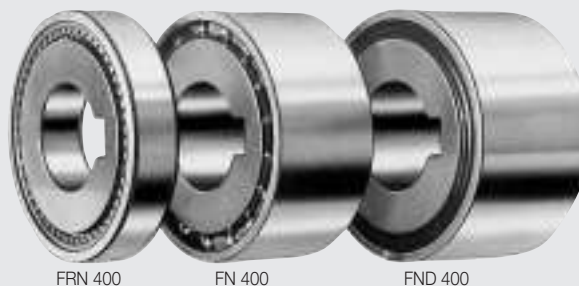
with press fit at inner and outer ring



FR 400	shaft diameter 10 to 60 mm
FP 400	shaft diameter 10 to 60 mm
FPD 400	shaft diameter 30 and 40 mm; sealed

Freewheel-Clutch

with keyway at inner ring and press fit at outer ring

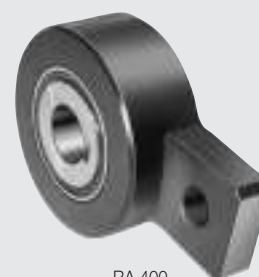


FRN 400	shaft diameter 10 to 45 mm
FN 400	shaft diameter 15 to 40 mm
FND 400	shaft diameter 15 to 40 mm; sealed

Backstop

with momentum lever

RA 400
shaft diameters
15 mm to 40 mm



RA 400

Freewheel-Clutch description

Freewheel-clutches transmit or support torque moment by friction contact in one direction and permit idling in the opposite direction.

Freewheel-clutches are used as:

Indexing elements to change from oscillating to intermittent rotary motion.

Backstops to prevent self reversing due to load condition when the machine is not activated.

Overrunning clutches to maintain driven unit activated even during slowdown, or in the case of two speed operation (by independent motors) to switch to the higher speed by passing the slower.

A large quantity of freewheel-clutches with varying design features and dimensions are available, depending on requirements such as: torque, indexing frequency, idling speed and environment.

The supporting equipment around the clutch has to be built accurately and of high quality for the clutch to operate pro-

perly. This is why we offer support units or complete assemblies of free-wheel-clutches.

Lubrication is especially important to obtain maximum life of freewheel-clutches. Good lubrication decreases drag. Please refer to our Lubrication Selection Table for proper selection. See pages 18/19.

GMN Clutches (except the sealed clutches of series FND, FPD, FK 62..-RS, FK 62..-2RS, FKN..-RS and FKN..-2RS) are shipped rustprotected – not lubricated.

For extreme applications, please consult with our technical staff.

The sprag

All GMN freewheel-clutches are sprag-type clutches.

The shape and engagement angle of our sprags assure high quality and top performance. We developed two sprags for our 400 – 8000 models, which are unique because of two important features: the engagement curve,

especially designed for each size of sprag, based on the special requirements caused by the different sizes of shafts each sprag is supposed to work on and the smallest head surface. We reduced the force of gravity caused by high indexing frequency, through our small and light sprags.

The logarithmic spiraled engagement curve

The logarithmic spiraled engagement curve is the prerequisite for precise indexing and long operating life. Especially for small shaft diameters. To achieve these factors it is important that all sprags engage simultaneously and in the same angle for torque pickup. Equal force acting on all sprags is required from the instant of engagement to full torque transfer. This is derived from the general mathematical formula for logarithmic spirals.

$$r_{\gamma} = r_0 \cdot e^{\cot \psi \cdot \gamma}$$

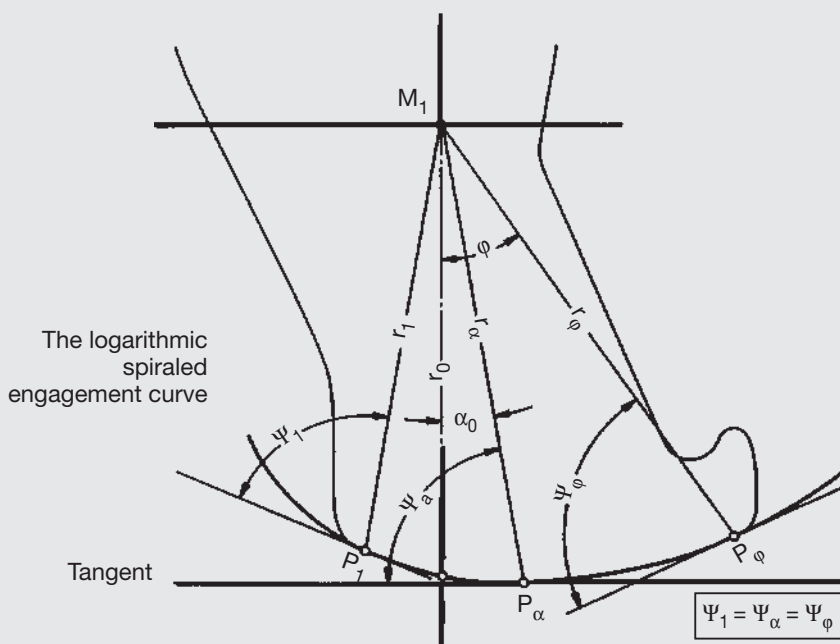
and

$$\psi = 90^{\circ} - \alpha_i; \alpha_a$$

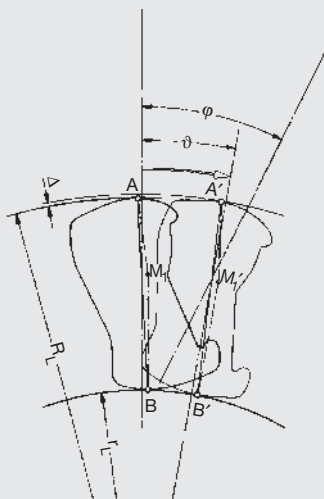
It is important that the pitch angle remains equal on all points along the tangent line. Furthermore, the engagement angles of the sprags are stabilized in all zones of contact over the entire engagement zone.

The installation of freewheel-clutches causes the sprags to be positioned in varying sloping positions, resulting from the tolerance in the engagement track (shaft and housing) and the eccentricity. Equal force distribution and equal straining forces on all individual sprags are a result of individual engagement and identical engagement angles.

High switching frequency with extra long life is achieved through the theoretical foundation and the practical design. This is why GMN freewheel-clutches are so outstanding.



Engagement of sprags



When load is applied, the sprags roll in on their engagement surfaces until a balance of forces between the torque and the tension of all clutch components (shaft, sprag, outer ring) is achieved. The distance and the necessary height difference Δ of the sprag, measured over both engagement tracks, is the operating zone.

The size of the engagement angle γ is determined by the applied torque (moment) and the force of reaction of the expansion Δ from the outer and inner parts. The engagement angle γ creates between outer and inner ring an angle of twist ϑ , which will remain equal with constant operating conditions and should not be considered slippage or intermittent slippage.

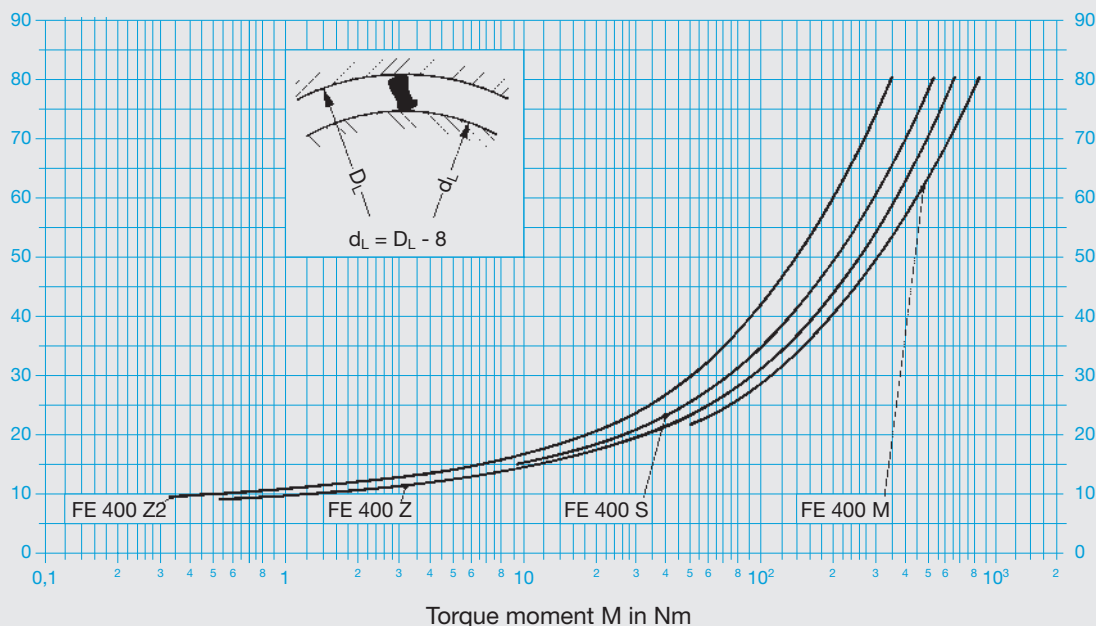
To prevent a "tip over" of the sprag at extreme overload, the logarithmic spiral is increased outside of the operating zone. This results in a larger pitch angle ψ and larger engagement angles α_1 and α_2 . A failure of a sprag will only take place when the overload is 2 to 3 times the nominal torque moment.

Engagement force

The engagement force acting on the sprags has to be determined for each individual application of the freewheel-clutch to assure the best compromise between idling wear and perfect torque pickup. To keep engagement forces at their lowest level, we designed our freewheel-clutches so that only a small moment of inertia works against the indexing movement.

Torque moment diagram

Outer engagement track diameter D_L in mm
= clutch size coding
(42 $\hat{=}$ 442)



Functional parts

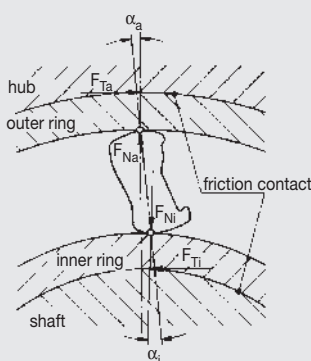
Over and above the mentioned mathematical prerequisites for the engagement surface of the sprags and their proper and reliable functioning, there are design characteristics which make optimum usage possible based on the mathematical conditions.

The sprags with their constant engagement angles, based on the logarithmic spiraled engagement curve, assure exact indexing. This will provide good guidance through the cage and reliable pretension. Through the force direction of the spring, the sprags receive pretension within the cage and are forced to the inside. The enlarged head of the sprag prevents a slip through to the inside.

Press fit of thin walled rings

The thin walled freewheel-clutch rings transmit the torque moment with the friction contact of the press fit. Slippage of the pressed in or pressed on rings is impossible, because the friction contact of the ring to the bore and to the shaft, increases in proportion to the applied torque moment.

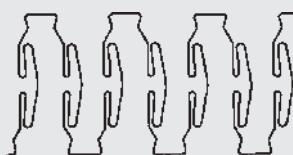
Slippage will not occur even when an unusual amount of moment or load takes place. The tangential force $F_{TA} = M/R_L$ respectively. $F_{Ti} = M/r_L$ presses the rings with approximately 20 times the normal force $F_{Na,i} = F_{Ta,i} \cdot \cot \alpha_i$ (α_a). This increases the press fit preset friction contact.



Meander spring

A special three-dimensional meander shaped spring was developed for our freewheel-clutch model FE 400, also called FE 400 M.

This spring is made of spring steel wire, class II quality and produced in the endless method on a spring forming machine designed and built by GMN.

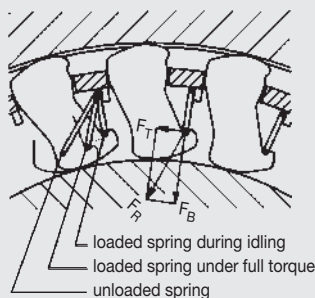


Freewheel-Clutch FE 400 (FE 400 M)

These freewheel-clutches are especially suited for every precise and fast indexing application.

The meander spring is hooked to the sprag and supported through the cage. Over a long spring distance with two force components F_B and F_T (bending and torsion) spring tension F_R is maintained to optimum pretension for each of the individual sprags.

This freewheel-clutch can also be used as a backstop with idling speeds of $v \leq 20$ m/min.



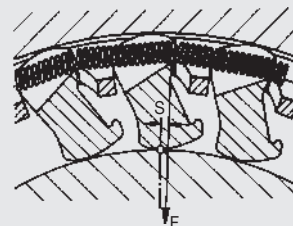
Freewheel-Clutch FE 400 Z and FE 400 Z2

This model is used as a backstop or overrunning clutch at idling speeds of $v < 60$ m/min.

A circular spring is placed over all sprags for pretension, due to the small leverarm "s". This causes a minor drag torque which results in free running.

This type of pretension is available in two series with different widths (see page 12).

For low indexing frequency $n_s \leq 20$ Hz this freewheel-clutch can be used as an indexing element.



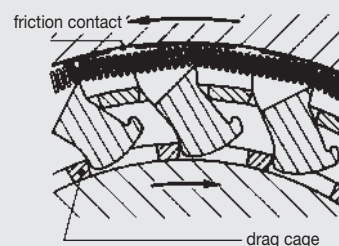
Freewheel-Clutch FE 400 S

The operating range of this freewheel-clutch is at very high idling speeds of $v > 60$ m/min.

The design is equal to type Z. This clutch has two cages. The first cage has friction contact with the outer ring. The brass drag cage, which has friction contact on the inner ring, allows the sprags to lift off of the inner track for wear free running in the idling direction.

This freewheel-clutch cannot be used as an indexing element.

This type is not a standard item!



Idling requirements

We recommend the use of a freewheel-clutch from the "Z" series when it is used as a backstop, exceeding a peripheral speed $v > 20$ m/min of the inner race-way.

The listed idling speeds n_{max} shown in the dimension tables are maximum values to achieve $L_1 = 1000$ hours of operating life. Slower revolutions n increase the operating life L .

$$L_1 = 1000 \cdot \left(\frac{n_{max}}{n} \right)^{1,25}$$

Optimum operating life	L_1	Inner ring rotating, oil lubricated
Decreasing operating life	$L_2 = 0.8 L_1$	Outer ring rotating, oil lubricated
	$L_3 = 0.7 L_1$	inner ring rotating, grease lubricated
	$L_4 = 0.6 L_1$	Outer ring rotating, grease lubricated

Nominal torque moment and overload

Depending upon the application in which a freewheel-clutch is used, peak load conditions may be encountered, which go far above the nominal torque moment "M".

If data on peak strain for load conditions are not available, the service factors $S_{A, F, K, M, T}$ listed below can be used with nominal torque moment data.

Indexing element:	$M_t = M_m \cdot S_F \cdot S_M \cdot S_T$
Back-stopping:	$M_t = M_m \cdot S_A \cdot S_T$
Over-running:	$M_t = M_m \cdot S_M \cdot S_K \cdot S_T$
	$M_t =$ theoretical operating torque moment
	$M =$ nominal torque moment (catalog data)
	$M_m =$ average nominal torque moment on the machine
	$M_t \leq M$

The service factors are approximate values and can be used only as a guide for size selection of a freewheel-clutch at given nominal torque moment.

In extreme cases, it is safe to determine the peak torque requirements by strain gauge, especially for the peak load conditions encountered through high switching frequencies, for the selection of a freewheel-clutch.

Moving mass	S_A	S_M
Light mass Small mechanical fixtures electric devices, machine tools	1	1.25
Medium mass Printing presses, machine tools small conveying installations, conveyer or feed systems	1.2	1.65
Large mass Load carrying equipment heavy presses and machines, heavy duty equipment	1.8	2.5

Engines and motors	S_K
Electric motors	1 - 2
internal combustion engines ($\delta < 1:100$)	1.3 - 2.5

Indexing frequency Hz	S_F
↑	1 1.00
↑	5 1.05
↑	10 1.10
↑	15 1.15
to	20 1.25
↓	30 1.35
↓	40 1.65
↓	60 1.70
over	60 2.50

Freewheel-clutch temp.	S_T
to	68° F = 20 °C 1.00
	104° F = 40 °C 1.05
	140° F = 60 °C 1.10
	176° F = 80 °C 1.20

Clutch design

All torque moment specifications "M" in this catalog correspond with the transferable nominal moment of each freewheel-clutch. The torque moment "M" includes a service factor of 1.2. Plastic deformation will not take place until the torque moment reaches 1.2 M, caused by momentary overload conditions; at this stage penetrating depth is permissible.

Cross section of hub and hollow shaft

For proper operation of the freewheel-clutch at full load and above, it is important that the expansion ΔD of 50 μm microns at the outer and inner ring is not exceeded.

$$\Delta D = \Delta D_L + \Delta d_L$$

For calculations we recommend you to take the wall thickness corresponding to the ring width from the cross-sectional area diagram.

Cross-sectional area diagrams

The calculations for the diagrams are based on the load equation for the

Outer ring

$$\sigma_a \text{ zul} = \frac{M \cdot \cot \alpha_a}{2 \cdot \pi \cdot B_a} \cdot \frac{R^2 + R_L^2}{R_L^2 (R^2 - R_L^2)}$$

Inner ring

$$\sigma_i \text{ zul} = \frac{M \cdot \cot \alpha_i}{2 \cdot \pi \cdot B_i} \cdot \frac{r_L^2 + r^2}{r_L^2 (r_L^2 - r^2)}$$

inner and outer ring, the permissible material capacity
 $\sigma_{zul} = 200 \text{ N/mm}^2$
 and the rolling-elements-pressing
 $\rho_H = 4000 \text{ N/mm}^2$.

Values of “width” and corresponding “wall thickness” as shown in the diagrams are only valid for:

- a) thin walled hub with solid shaft or
- b) thick walled hub with hollow shaft

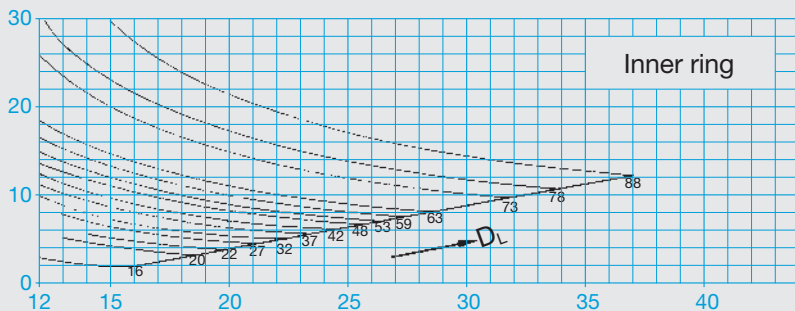
Should a freewheel-clutch be mounted in a thin walled hub with a hollow shaft, the cross section area must be enlarged to the point where the permissible expansion will not be exceeded.

When calculating freewheel-clutches with rings, one can include the wall thickness of the thin walled rings of 2 mm up to size 442 and 2.5 mm starting with size 448.

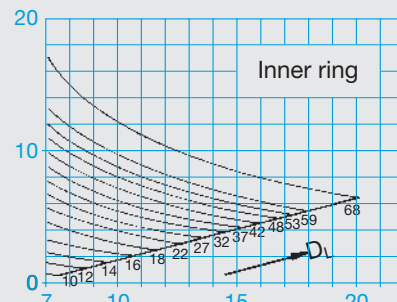
The diagram curves cannot be extrapolated from the maximum width.

Diameters D_L marked in the diagrams correspond with the catalog numbers (e.g. 42 \triangleq 442).

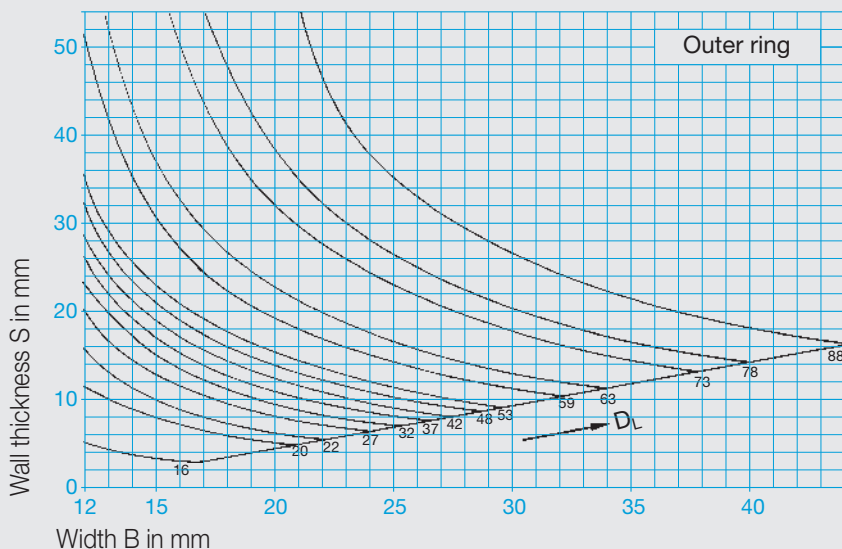
FE 400 M/Z/S



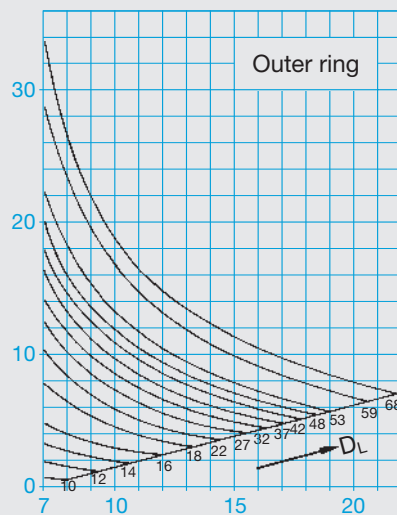
FE 400 Z2



FE 400 M/Z/S



FE 400 Z2



1. Freewheel-Clutches FE 400/Z/Z2/S and Roller Bearing RL 400

1.1. Surface and hardness:

The races of freewheel-clutches and roller bearings must be hardened and ground. The hardening depth (Eht) for surface hardness must be ≥ 1.3 mm for transmitting full torque moments. Lower torque moments require correspondingly lower depths.

Hardness: $HRC = 60^{+2}$
 $Eht \geq 1.3$ mm
 Surface: $R_z \leq 1.6$ μ m

1.2. Mounting tolerance

Bore $D_L = H6$
 Shaft $d_L = h5$
 See page 22

1.3. Freewheel-clutch and roller bearing require a collar, ring or snap ring (round edge towards freewheel-clutch) as a guide.

1.4. For ease of mounting, shaft and bore should have a chamfered edge.

1.5. The rollers of the roller bearings RL 400 can be ordered in eleven different tolerance classes, in steps of 2 microns ranging from +10 to -10 microns.

Order example:

50 roller bearings with 34 mm diameter x 42 mm diameter and tolerance class of +4 microns:

50 RL 442 +4.

If there is no tolerance ordered rollers of tolerance ± 0 microns will be delivered:

50 RL 442

2. Freewheel-Clutches FR/FP/FPD/FRN/FN and FND 400

(M-, Z- and S models)

2.1. Machine parts, in which freewheel-clutches are pressed in or on can be of ferrous or nonferrous material.

2.2. Mounting tolerance:

thin walled ring with pressfit
 Bore $D = H6$
 thin walled ring with pressfit
Shaft $d = h5$
 ring with keyway
Shaft $d = js6 (k5)$
 See page 22

2.3. Insert freewheel-clutches of models FR and FRN 400 have to be secured in the axial direction.

2.4. For pressed in or on freewheel-clutch rings, no retainers are necessary for axial or radial security.

2.5. The inner rings of freewheel-clutches FRN 400 have to be secured. The inner rings with keyway on the other models have to be secured in the axial direction only, if the pressed on outer machine part (gear or lever) is not axially secured.

2.6. When mounting freewheel-clutches with bearings do not apply pressure to bearing balls.

2.7. After installation a radial clearance between C2 and C5 will be reached. To create a clearance of C2 you should produce your shaft at the highest point and your housing at the lowest point of the allowed tolerances.

3. Ball Bearing Sizes FK 62 . ./FKN 62 . .

3.1. Connecting parts like 2.1.

3.2. Mounting tolerance:

Bore $D = N7$
Shaft $d = n6$
 See page 22

3.3. For pressed in or on rings, no retainers are necessary for axial or radial security.

3.4. When mounting do not apply pressure to bearing balls.

3.5. The RSR-seals used for these clutches would seal against dust and grease lubrication. Oil lubrication and merging into liquids is not possible.

3.6. Even the keywayed inner rings of series FKN 62.. have to be pressfitted for proper function. Pressfit will be achieved by using the correct tolerance of the shaft "n6".

4. Backstop with Momentum Lever RA 400

4.1. Connecting shaft like 2.1.

4.2. Mounting tolerance:

Shaft $d = js6 (k5)$
 See page 22

4.3. The inner ring of the backstop has to be axially secured on the shaft.

4.4. The backstop can only be mounted or disassembled by way of the inner ring so that the bearing balls are not damaged.

5. Engagement Direction

Different series of freewheel-clutches need to be ordered with the correct engagement direction. The engagement direction can be specified by catalog number.

Engagement direction right:

When the shaft is driving to the right (clockwise) and the outer ring is driven through the sprags, (direction of view from the mounting side) suffix "R" not necessary.

Engagement direction left:

When ordering a freewheel-clutch with opposite engagement, the suffix "L" must be placed after the catalog number.

For example: FE 422 L;
 FK 6205-RSL; RA 442 L;
 RA 453 ZL

6. Lubrication

GMN Clutches (except the sealed clutches of series FND, FPD, FK 62 . .-RS, FK 62 . .-2RS, FKN 62 . .-RS, FKN 62 . .-2RS, RA) are shipped rust protected – not lubricated.

See pages 18/19

Attention: Please take care for total cleaning of freewheel rings and mating parts before pressfitting (no grease particles left in the pressfit area).

1. General information

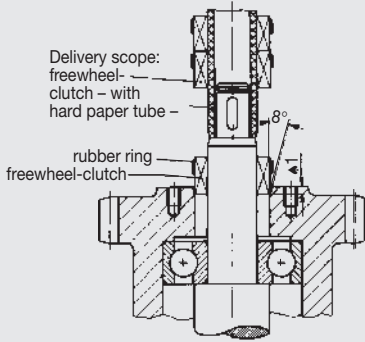
For easy and safe installation, freewheel-clutches FE 400 and FE 400 Z/Z2 are delivered on hard paper tubes. Only clutches of model FE 400 are surrounded with colored rubber rings, keeping

the sprags in a disengaged position, so clutches can be mounted easily. After removal of rubber ring the sprags will be engaged immediately to be ready for working.

Color of rubber ring for engagement direction:
right = red
left = light green or transparent

2. Montage

2.1 FE 400

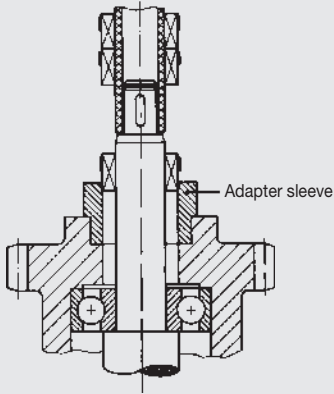


2.1. **FE 400** installation recommendations for large quantities.

◀◀ Push freewheel-clutch off of the paper tube over the shaft, into the housing. After removal of the rubber ring, push freewheel-clutch into final position.

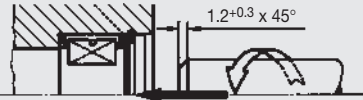
In the event that the insertion of the ▶▶ freewheel-clutch from the paper tube is difficult due to larger depth, use an adapter sleeve for ease of mounting.

2.1. FE 400



Place freewheel-clutch in the housing and secure (retainer). Insert shaft with a turning and pushing motion.

2.2. FE 400 Z/Z2



In the event that the shaft and outer part can not be chamfered, place freewheel-clutch halfway on the shaft. This causes the sprags to tilt and reduces the diameter in relation to the size of the clutch frame. Now push shaft with the freewheel-clutch in place. This installation method is only possible with model FE 400 Z.

2.3. FE 400 Z



Freewheel-clutches "FE 400 Z/Z2" and "S" can be installed for left or right engagement. When ordering, specification for left or right engagement is not necessary.

Freewheel-clutches model FE 400 S with drag cage should have side support washers, sleeve, or shoulder flange. There should be no recess for a retaining ring on the mounting side.

2.4. FE 400 S

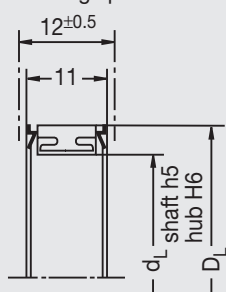


FE 400

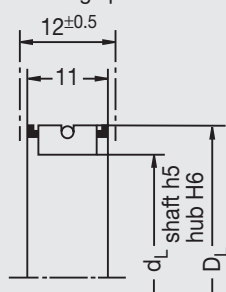
FE 400 Z

FE 400 Z2

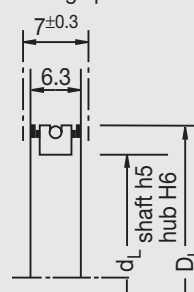
Mounting space



Mounting space



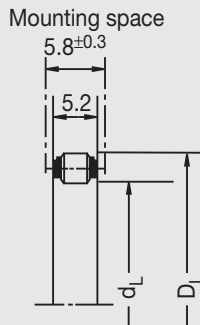
Mounting space



Dimensions [mm]		FE 400		FE 400 Z		FE 400 Z2		Idling speed Clutch n_{max} [RPM]	Dimensions [inch]	
d_L	D_L	Part-number	Torque M [ftlb] [Nm]	Part number	Torque M [ftlb] [Nm]	Part number	Torque M [ftlb] [Nm]		d_L	D_L
2	10					FE 410 Z2 ○	0.2 0.3	10 000	.0787	.3937
4	12			FE 412 Z	2.2 3	FE 412 Z2	1.3 1.8	10 000	.1575	.4724
5	13					FE 413 Z2	2.1 2.9	9 000	.1969	.5118
6	14			FE 414 Z ○	5 7	FE 414 Z2	1.9 2.6	8 500	.2362	.5512
8	16			FE 416 Z	9 12	FE 416 Z2	5.6 7.6	7 500	.3150	.6299
14	22	FE 422	36 48	FE 422 Z	32 44	FE 422 Z2 ○	16 21	5 300	.5512	.8661
15	23	FE 423	40 55	FE 423 Z	36 48	FE 423 Z2	18 24	5 200	.5906	.9055
17	25	FE 425	50 68	FE 425 Z	43 58	FE 425 Z2 ○	22 30	4 700	.6693	.9843
19	27	FE 427	59 80	FE 427 Z	49 66	FE 427 Z2 ○	27 36	4 400	.7480	1.0630
20	28	FE 428	64 87	FE 428 Z	55 75	FE 428 Z2 ○	29 39	4 200	.7874	1.1024
22	30	FE 430	75 101	FE 430 Z ○	64 87	FE 430 Z2 ○	34 46	4 000	.8661	1.1811
24	32	FE 432	86 116	FE 432 Z	71 97	FE 432 Z2 ○	39 52	3 700	.9449	1.2598
25	33	FE 433	92 124	FE 433 Z	79 107	FE 433 Z2 ○	41 56	3 600	.9843	1.2992
27	35	FE 435	104 141	FE 435 Z ○	90 121	FE 435 Z2 ○	47 64	3 400	1.0630	1.3780
29	37	FE 437	117 158	FE 437 Z	101 137	FE 437 Z2 ○	53 71	3 200	1.1417	1.4567
30	38	FE 438	124 168	FE 438 Z	106 144	FE 438 Z2 ○	56 76	3 100	1.1811	1.4960
34	42	FE 442	152 207	FE 442 Z	131 178	FE 442 Z2	69 93	2 800	1.3386	1.6535
35	43	FE 443	160 217	FE 443 Z	138 187	FE 443 Z2	72 98	2 700	1.3780	1.6929
40	48	FE 448	201 272	FE 448 Z	173 235	FE 448 Z2 ○	90 122	2 500	1.5748	1.8898
42	50			FE 450 Z ○	155 210	FE 450 Z2 ○	96 130	2 400	1.6535	1.9685
45	53	FE 453	246 333	FE 453 Z	207 281	FE 453 Z2	108 146	2 200	1.7717	2.0866
50	58	FE 458	295 400	FE 458 Z	254 345	FE 458 ZS ○	131 178	2 000	1.9685	2.2835
51	59	FE 459	305 414	FE 459 Z	263 357	FE 459 Z2 ○	133 181	2 000	2.0079	2.3228
55	63	FE 463	348 472	FE 463 Z	300 407	FE 463 Z2 ○	149 202	1 900	2.1654	2.4803
60	68	FE 468	405 550	FE 468 Z	349 474	FE 468 Z2 ○	179 243	1 750	2.3622	2.6772
62	70	FE 470	429 583	FE 470 Z	370 502			1 700	2.4409	2.7559
65	73	FE 473	467 633	FE 473 Z	402 545			1 600	2.5590	2.8740
70	78	FE 478	532 722	FE 478 Z	458 622			1 500	2.7559	3.0709
80	88	FE 488 ○	674 914	FE 488 Z ○	581 788			1 300	3.1496	3.4646

Maximum radial clearance pending application 0.04 mm. ○ Not a stock item, delivery on request.
Other sizes on request. 10 Nm = 1 kpm, 10 N = 1 kp – Dimensions subject to change!

RL 400



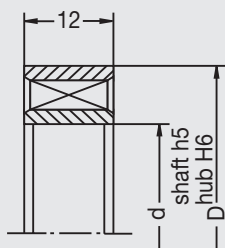
Tolerances of rollers and order example see page 10 paragraph 1.5.

Dimensions [mm]		RL 400 Part number	Load Capacities				Idling speed Bearing		Dimensions [inch]	
d _L	D _L		C dyn.		C ₀ static		n _{max} [RPM]		d _L	D _L
			[lb]	[N]	[lb]	[N]	oil	grease		
2	10								.0787	.3937
4	12	RL 412	564	2 510	315	1 400	55 000	45 000	.1575	.4724
5	13								.1969	.5118
6	14								.2362	.5512
8	16								.3150	.6299
14	22	RL 422	1 115	4 960	787	3 500	25 000	19 000	.5512	.8661
15	23	RL 423	1 119	4 980	798	3 550	24 000	18 000	.5906	.9055
17	25	RL 425	1 328	5 910	1 023	4 550	21 000	17 000	.6693	.9843
19	27	RL 427	1 427	6 350	1 148	5 110	20 000	15 000	.7480	1.0630
20	28	RL 428	1 425	6 340	1 160	5 160	19 000	15 000	.7874	1.1024
22	30	RL 430	1 515	6 740	1 283	5 710	17 000	14 000	.8661	1.1811
24	32	RL 432	1 508	6 710	1 301	5 790	16 000	13 000	.9449	1.2598
25	33								.9483	1.2992
27	35								1.0630	1.3780
29	37	RL 437	1 663	7 400	1 555	6 920	14 000	11 000	1.1417	1.4567
30	38	RL 438	1 659	7 380	1 562	6 950	13 000	10 000	1.1811	1.4960
34	42	RL 442	1 890	8 410	1 924	8 560	12 000	9 000	1.3386	1.6535
35	43	RL 443	1 883	8 380	1 930	8 590	12 000	9 000	1.3780	1.6929
40	48	RL 448	2 164	9 630	2 416	10 750	10 000	8 000	1.5748	1.8898
42	50								1.6535	1.9685
45	53	RL 453	2 126	9 460	2 441	10 860	9 000	7 000	1.7717	2.0866
50	58	RL 458	2 236	9 950	2 695	11 990	8 500	6 500	1.9685	2.2835
51	59	RL 459	2 373	10 560	2 933	13 050	8 000	6 500	2.0079	2.3228
55	63	RL 463	2 411	10 730	3 068	13 650	7 500	6 000	2.1654	2.4803
60	68								2.3622	2.6772
62	70	RL 470	2 627	11 690	3 566	15 870	7 000	5 000	2.4409	2.7559
65	73	RL 473	2 605	11 590	3 575	15 910	6 500	5 000	2.5590	2.8740
70	78	RL 478 ○	2 566	11 420	3 591	15 980	6 000	4 700	2.7559	3.0709
80	88	RL 488 ○	2 749	12 230	4 097	18 230	5 300	4 100	3.1496	3.4646

○ Not a stock item, delivery on request.

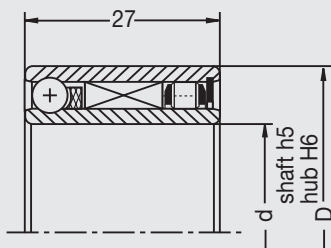
Other sizes on request. 10 Nm ≈ 1 kpm, 10 N ≈ 1 kp – Dimensions subject to change!

FR 400



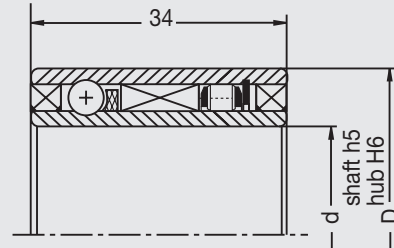
without bearing support

FP 400



with bearing

FPD 400 ◆ ○



with bearing and double seal

Dimensions [mm] [inch]		FR 400	FP 400	FPD400	Torque M speed		Idling n_{max} [RPM]	Load Capacities [N]			
d	D	Part number			[ftlb]	[Nm]		C dynamic Ball Roller		C_0 static Ball Roller	
10 .3937	26 1.0236	FR 422	FP 422		36	48	5 300	4 935	4 960	2 085	3 500
		FR 422 Z	FP 422 Z		32	42		1 109	1 115	469	787
15 .5906	31 1.2205	FR 427	FP 427		59	80	4 400	6 080	6 350	2 785	5 110
		FR 427 Z	FP 427 Z		49	66		1 366	1 427	626	1 148
20 .7874	36 1.4173	FR 432	FP 432		86	116	3 700	6 555	6 710	3 175	5 790
		FR 432 Z	FP 432 Z		71	97		1 473	1 508	714	1 301
25 .9843	41 1.6142	FR 437	FP 437		117	158	3 200	7 325	7 400	3 870	6 920
		FR 437 Z	FP 437 Z		101	137		1 646	1 663	870	1 555
30 1.1811	46 1.8110	FR 442	FP 442	FPD 442	152	207	2 800 ○(1 500)	7 980	8 410	4 570	8 560
		FR 442 Z	FP 442 Z	FPD 442 Z	131	178		1 793	1 890	1 027	1 924
35 1.3780	53 2.0866	FR 448			201	272	2 500				
		FR 448 Z			173	235					
40 1.5748	58 2.2835	FR 453	FP 453		246	333	2 200 ○(1 200)	8 690	9 460	5 640	10 860
		FR 453 Z	FP 453 Z	FPD 453 Z	207	281		1 953	2 126	1 267	2 441
50 1.9685	68 2.6772	FR 463	FP 463		348	472	1 900	9 295	10 730	6 700	13 650
		FR 463 Z	FP 463 Z		300	407		2 089	2 411	1 506	3 068
60 2.3622	78 3.0709	FR 473	FP 473		467	633	1 600	9 535	11 590	7 420	15 910
		FR 473 Z	FP 473 Z		402	545		2 143	2 605	1 667	3 575

The load capacities "C" and "C₀" are not valid for the FR 400 series!

Maximum radial clearance for the FR 400 series pending application 0.02 mm.

◆ Arrow on inner ring shows: idling direction of outer ring = locking direction of inner ring.

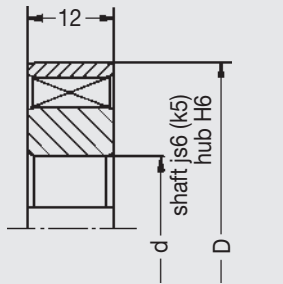
○ Idling speed for series FPD

Other sizes on request.

Dimensions subject to change!

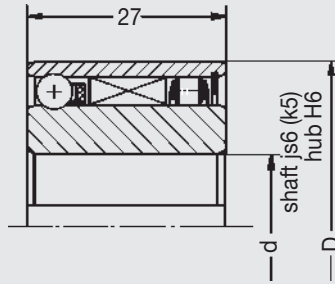
10 Nm ≈ 1 kpm; 10 N ≈ 1 kp

FRN 400*



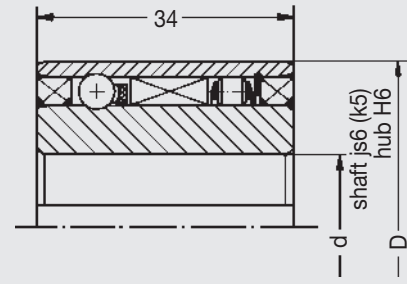
without bearing support

FN 400



with bearing

FND 400 ♦ ○

with bearing
and double seal

Dimensions [mm] [inch]		FRN 400*	FN 400	FND400♦	Torque M		Idling speed n_{max} [RPM]	Load Capacities [N]			
d	D	Part number			[ftlb]	[Nm]		C dynamic		C ₀ static	
							Ball	Roller	Ball	Roller	
10 .3937	31 1.2205	FRN 427			59	80	4 400				
		FRN 427 Z			49	66					
12 .4724	36 1.4173	FRN 432			86	116	3 700				
		FRN 432 Z			71	97					
15 .5906	41 1.6142	FRN 437	FN 437	FND 437	117	158	3 200 ○ (1 700)	7 325	7 400	3 870	6 920
		FRN 437 Z	FN 437 Z	FND 437 Z+	101	137		1 646	1 663	870	1 555
20 .7874	46 1.8110	FRN 442	FN 442	FND 442 +	152	207	2 800 ○ (1 500)	7 980	8 410	4 570	8 560
		FRN 442 Z	FN 442 Z+	FND 442 Z	131	178		1 793	1 890	1 027	1 924
25 .9843	58 2.2835	FRN 453	FN 453 +	FND 453	246	333	2 200 ○ (1 200)	8 690	9 460	5 640	10 860
		FRN 453 Z	FN 453 Z	FND 453 Z	207	281		1 953	2 126	1 267	2 441
30 1.1811	64 2.5197	FRN 459	FN 459 +	FND 459	305	414	2 000 ○ (1 100)	8 805	10 560	6 010	13 050
		FRN 459 Z	FN 459 Z	FND 459 Z	263	357		1 979	2 373	1 351	2 933
35 1.3780	68 2.6772	FRN 463			348	472	1 900				
		FRN 463 Z			300	407					
40 1.5748	75 2.9528	FRN 470	FN 470 +	FND 470	429	583	1 700 ○ (1 000)	9 645	11 690	7 405	15 870
		FRN 470 Z	FN 470 Z	FND 470 Z	370	502		2 168	2 627	1 664	3 566
45 1.7717	78 3.0709	FRN 473			467	633	1 600				
		FRN 473 Z			402	545					

The load capacities "C" and "C₀" are not valid for the FRN 400 series!

Maximum radial clearance for the FRN 400 series pending application 0.02 mm.

* Torque capacity stated is valid for the clutch but not for the keyway!

Keyway specifications according to DIN 6885 Bl. 1 (P9) with back clearance (connecting dimensions on page 22).

+ Different bore sizes available on request

♦ Arrow on inner ring shows: idling direction of outer ring = locking direction of inner ring

○ Idling speed for series FND

Other sizes on request.
Dimensions subject to change.
10 Nm ≈ 1 kpm; 10 N ≈ 1 kp

FK 62 . .

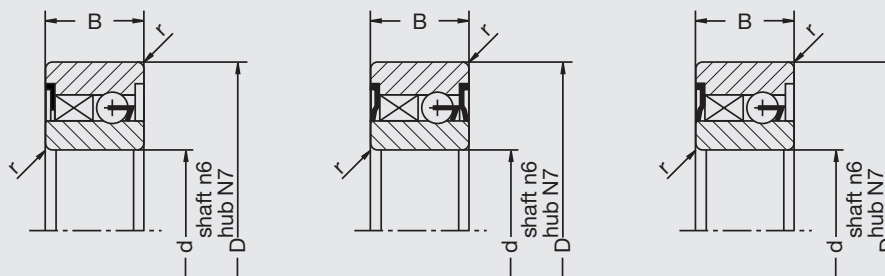
FK 62 . .-2RS

FK 62 . .-RS

Engagement direction of inner ring only important for type FK 62 . .-RS



direction of view



Dimensions in accordance with DIN 625, series 62, row 02

The "open" and "2RS" style are the standard program. With these types it is not necessary to specify clutch engagement direction. With the "RS" style it is necessary to specify clutch engagement direction as shown beside. The "RS" and "2RS" style are shipped grease lubricated for the life-time. Specification DIN 620 states that the radial clearance will be C2 to C5 after installation is completed. Should C2 be desired, it is necessary that the shaft diameter is manufactured at the high limit of the tolerance zone and the diameter of the housing bore is manufactured at the lowest limit.

with Keyway

FKN 62 . .

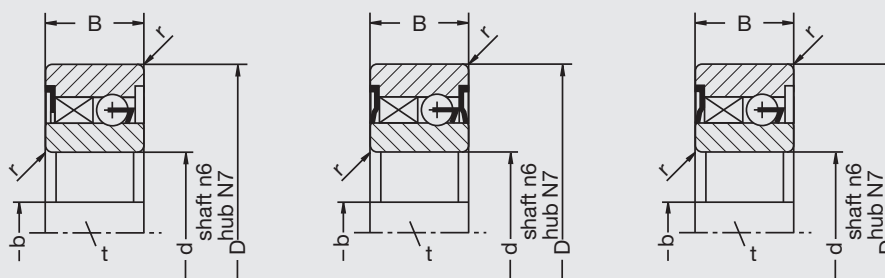
FKN 62 . .-2RS

FKN 62 . .-RS

Engagement direction of inner ring only important for type FKN 62 . .-RS



direction of view



Dimensions in accordance with DIN 625, series 62, row 02

Dimensions [mm] [inch]						Catalog Number			M [Nm] [ftlb]	Idling speed n_{max} [1/min]	Load Capacities [N] [inch]	
d	D	B	r	b ^{P9}	t					C dyn.	C ₀ static	
17 .6693	40 1.5748	12 .4724	1 .04	5 .1968	1.2 .0472	FK 6203		FK 6203-RS	40	3 700	6 555	3 175
						FKN 6203		FKN 6203-RS	29.5		1.473	0.714
20 .7874	47 1.8504	14 .5512	1.5 .06	6 .2362	1.6 .063	FK 6204	FK 6204-2RS	FK 6204-RS	55	3 200	7 325	3 870
						FKN 6204	FKN 6204-2RS	FKN 6204-RS	40.5		1.646	0.870
25 .9843	52 2.0472	15 .5906	1.5 .06	8 .315	2 .0787	FK 6205	FK 6205-2RS	FK 6205-RS	93	2 800	7 980	4 570
						FKN 6205	FKN 6205-2RS	FKN 6205-RS	69		1.793	1.027
30 1.1811	62 2.4409	16 .6299	1.5 .06	8 .315	2 .0787	FK 6206	FK 6206-2RS	FK 6206-RS	130	2 400	8 450	5 290
						FKN 6206	FKN 6206-2RS	FKN 6206-RS	96		1.899	1.189
35 1.3780	72 2.8346	17 .6693	2.7 .10	10 .3937	3.3 .130	FK 6207	FK 6207-2RS	FK 6207-RS	202	1 900	9 295	6 700
						FKN 6207	FKN 6207-2RS	FKN 6207-RS	149		2.089	1.506
20 .7874	52 2.0472	15 .5906	1.5 .06	6 .2362	2 .0787			FK 6304-2RS	93	2 800	7 980	4 570
									69		1.793	1.027

The torque capacities for the FKN 62 . . series are only valid for the clutches, but not for the keyways!

Keyway specifications according to DIN 6885 Bl. 3 P9 with back clearance. (Conversion factors see page 22).

Arrow at inner ring shows: idling direction of outer ring = locking direction of inner ring.

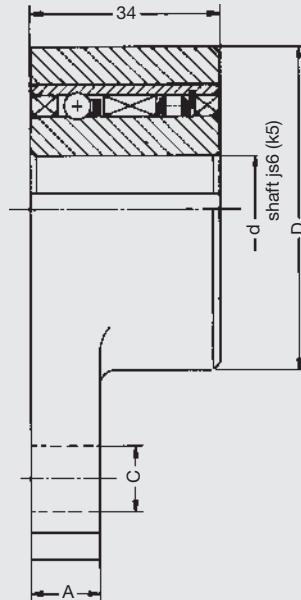
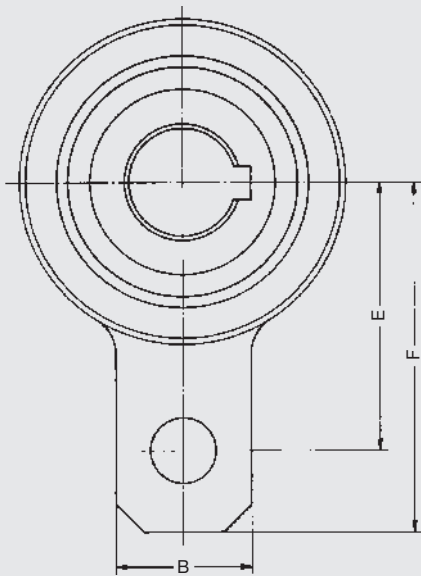
Other sizes on request.

Dimensions subject to change!

10 Nm ≈ 1 kpm; 10 N ≈ 1 kp

◆ Size 6207: Housing tolerance N6 keyway depth according DIN 6885 Blatt 1

RA 400



backstop direction at inner ring



direction of view

Backstops of series RA 400 can be used as indexing elements too.

Dimensions [mm] [inch]							Catalog Number	Torque M		Idling speed n_{max} [RPM]	Load Capacities [N] [lb]			
d	D	A	B	C	E	F		[ftlb]	[Nm]		C dynamic Ball	C dynamic Roller	C ₀ static Ball	C ₀ static Roller
15 .5906	65 2.5590	12 .4724	32 1.2598	10 .3937	47 1.8504	62 2.4409	RA 437	117	158	1 700	7 325	7 400	3 870	6 920
							RA 437 Z	101	137		1 640	1 663	870	1 555
20 .7874	75 2.9528	16 .6299	36 1.4173	12 .4724	54 2.1260	72 2.8346	RA 442	152	207	1 500	7 980	8 410	4 570	8 560
							RA 442 Z	131	178		1 793	1 890	1 027	1 924
25 .9843	90 3.5433	16 .6299	45 1.7717	16 .6299	62 2.4409	84 3.3070	RA 453	246	333	1 200	8 690	9 460	5 640	10 860
							RA 453 Z	207	281		1 953	2 126	1 267	2 441
30 1.1811	100 3.9370	16 .6299	50 1.9685	16 .6299	68 2.6772	92 3.6220	RA 459	305	414	1 100	8 805	10 560	6 010	13 050
							RA 459 Z	263	357		1 979	2 373	1 351	2 933
40 1.5748	110 4.3307	20 .7844	50 1.9685	20 .7874	85 3.3465	112 4.4494	RA 470	429	583	1 000	9 645	11 690	7 405	15 870
							RA 470 Z	370	502		2 168	2 627	1 664	3 566

Keyway specifications according to DIN 6885 Bl. 1 (P9) with back clearance. (connecting dimensions on page 22).
Hole C in momentum lever may be ordered threaded, with pivot stud or as a slotted hole at extra cost.
Arrow at inner ring shows locking direction of inner ring.

Other sizes on request.
Dimensions subject to change.
10 Nm ≈ 1 kpm; 10 N ≈ 1 kp

GMN

Proper lubrication with only qualified lubricants is the prerequisite for achievement of highest efficiency of our high quality clutches.

Only with use of oil or grease lubricants as specified in Tables 1 to 3 GMN will warrant their freewheel-clutches and their trouble free function.

GMN will supply on request, factory lubricant specifications for your specific operating temperature range.

Please consult with our technical staff if operating temperatures are in the upper or lower temperature tolerance range.

Whenever possible, use only oil or oil mist lubrication rather than grease lubrication.

For oilmist lubrication – please use oils as per table 1 e.g. HM 10 or HM 32.

Oil

Table 1	Operating Temperature Range at GMN Clutch		
	- 15 °C to + 30 °C + 5 °F to + 86 °F	15 °C to 90 °C 59 °F to 194 °F	60 °C to 120 °C 140 °F to 248 °F
Oil Type	Hydraulic Oil HM 10	Hydraulic Oil HM 32	Hydraulic Oil HM 100

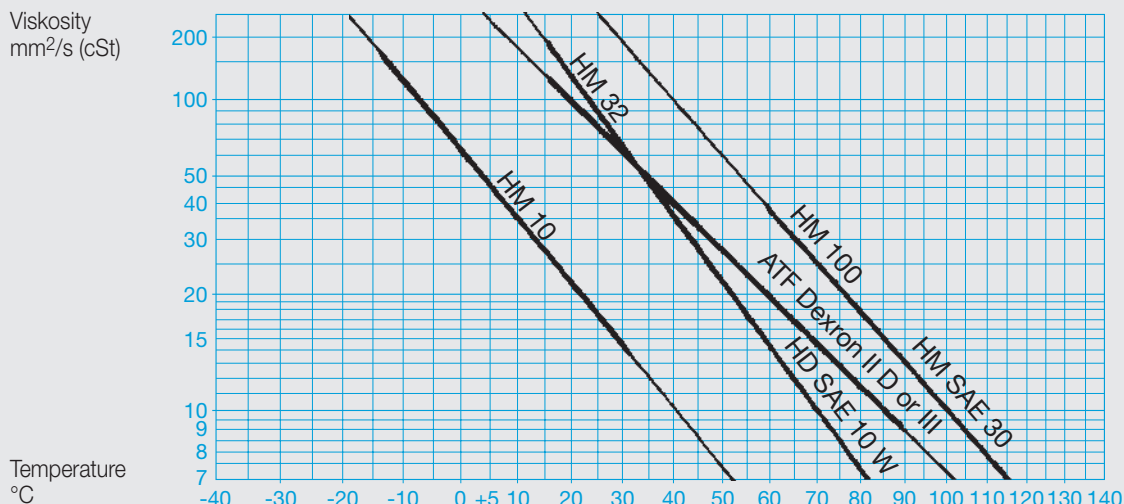
Table 2	Operating Temperature Range at GMN Clutch		
	- 15 °C to + 30 °C + 5 °F to + 86 °F	15 °C to 90 °C 59 °F to 194 °F	60 °C to 120 °C 140 °F to 248 °F
Oil Type	-	HD-Motor Oil SAE 10 W ATF DEXRON II D or III	HD Motor Oil SAE 30

Oil lubricants described in Table 2 are from the automotive sector. These lubricants can easily be obtained at

automotive supply outlets and are excellent for the lubrication of our freewheel-clutches.

Lubricant qualification: HD-Motor Oil SAE 10 W or SAE 30 is equal to "API-Service SF/CC" and "MIL-L 46152 B".

Viscosity-Temperature Diagram for GMN Oil



Grease

Greases from different manufactures may not be compatible. Consult with GMN for proper lubrication recommendations

There is no universal grease for all service and operating conditions. Table 3 below lists suitable grease types and characteristics for GMN freewheel-clutches.

Table 3 shows a selection of the favoured greases and their specifications.

Important: Oils shown in table 1 and table 2 are only to be mixed with oils of the same qualification. That means ATF oil with ATF oil. HD-motor oil with HD-motor oil, hydraulic oil with hydraulic oil; but not ATF oil with motor oil or hydraulic oil etc.

If there is any change of oil from one qualification to the other it is absolutely necessary to clean the freewheel-clutch and mating parts with cleaning or test benzine. Never use trichloroethylene or perchlorethylene.

The oil level should be in relation to the size of the freewheel-clutch. In normal installation position, not operating, one third of the clutch should be submerged in oil.

For oil mist lubrication systems GMN recommends ample clean oil, free of moisture, be sprayed directly onto clutches.

Open or unsealed housings should be inspected frequently – at least daily – for proper lubrication level.

Our double sealed freewheel-clutches (series FND and FPD) are filled with an oil for operating temperature range 15 °C to 90 °C if not specially ordered.

Table 3

Producer	Grease Type	Saponification	Oilbase	Consistence (NLGI) DIN 51818	Operating Temperature at GMN free-wheel-clutch	Characteristics
Klüber Lubrication	ISOFLEX LDS 18 SPECIAL A	Lithium	Ester	2	- 30...+120 °C - 22...+248 °F	Deep temperature and longterm grease with high resistance to aging and corrosion.
Shell	Alvania RS	Lithium	Mineral	2	- 10...+120 °C +14...+248 °F	Longterm grease with high resistance to aging and corrosion. Very high purity is achieved by additional filtering.

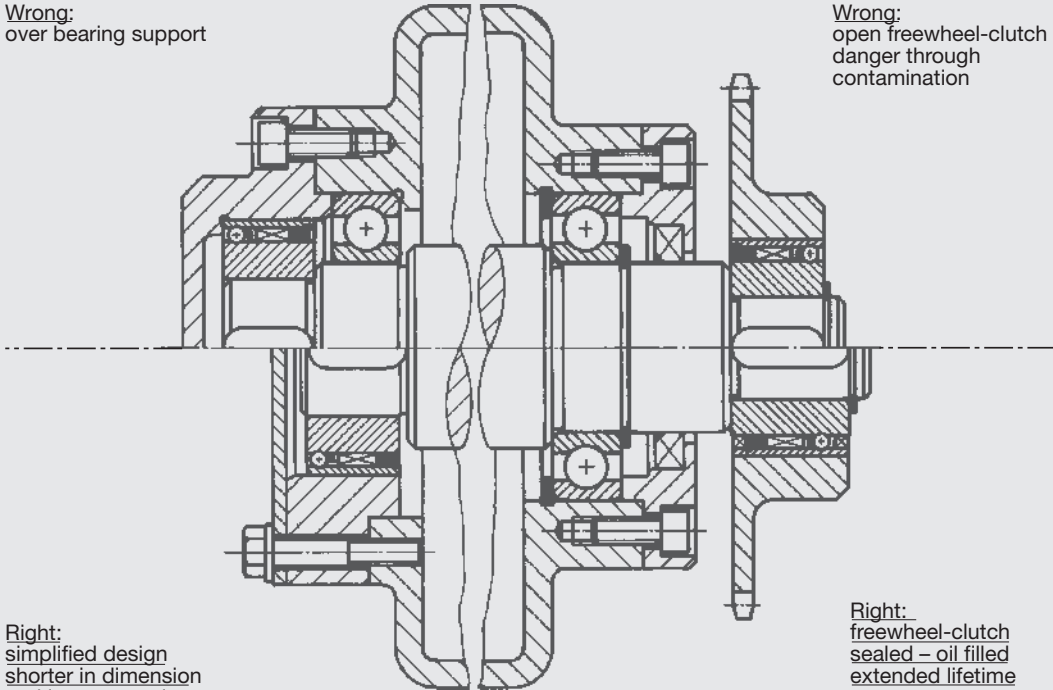
GMN only uses ball and roller bearing grease which is continually monitored for maximum quality and maximum clutch life.

GMN can not endorse or guarantee the quality of lubricants, purchased by their customers to be used with GMN clutches.

Sealed ball bearing clutches “RS” and “2RS” are shipped grease lubricated with grease type Isoflex LDS 18 Special A, if not specially ordered.

Wrong:
over bearing support

Wrong:
open freewheel-clutch
danger through
contamination



Right:
simplified design
shorter in dimension
and less expensive

Right:
freewheel-clutch
sealed – oil filled
extended lifetime

Wrong:
Axial retainer not
necessary for outer ring.

Axial supports on both
sides of the insert clutch
are missing.

Axial retainer for
inner ring missing.

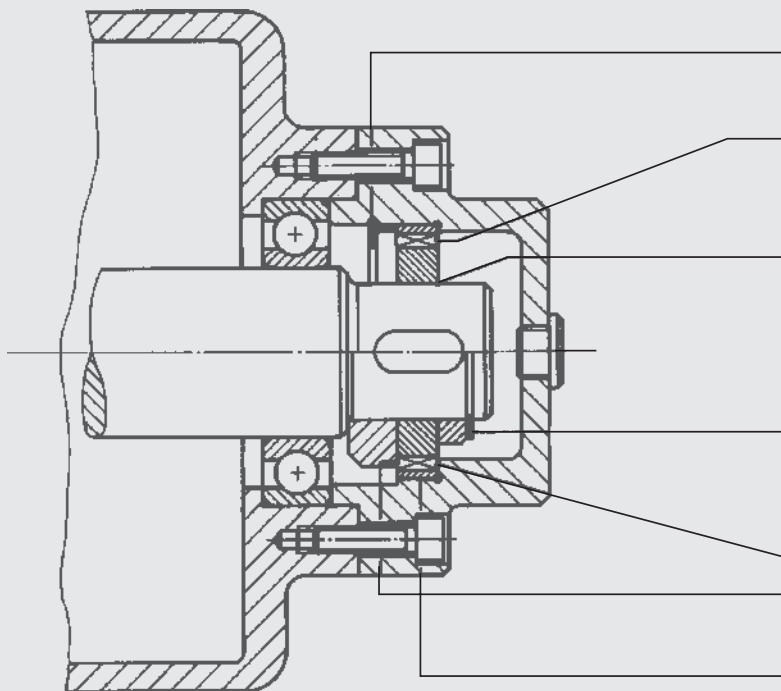
Right:
Axial retainer for
inner ring.

Axial supports on
both sides of the
insert clutch:

FE 400S from the outside.

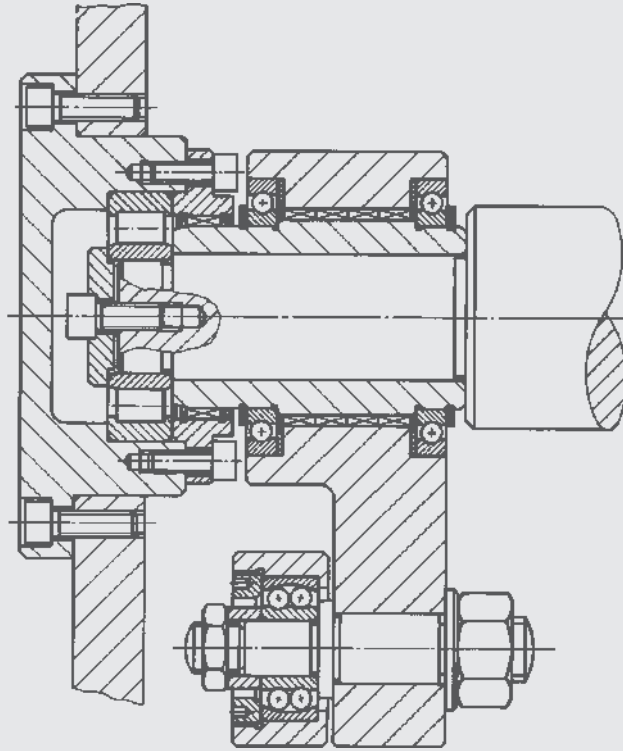
FE 400 and FE 400Z
from the inside.

Pressfit for freewheel-
clutch ring sufficient, no
danger of slippage.



Four freewheel-clutches of model FE used in a parallel assembly, safe torque transfer is achieved by a predesignated outside diameter and optimum utilization of space.

The restoring forces from the driven side are much smaller than the forward driving moment. This is why the back-stop is of a lower torque design.



Indexing mechanism

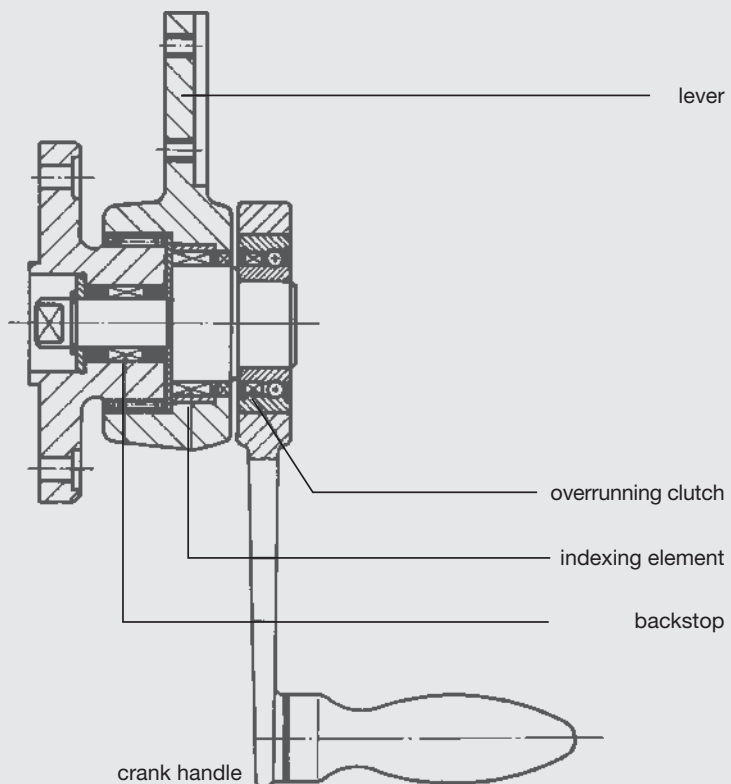
This example shows three functions of freewheel-clutches:

- Indexing element
- Backstop
- Overrunning clutch

When the machine is operated: the lever will move backward and forward, the shaft is intermittently driven and will overrun the standing crank handle.

Should a restoring force develop from the driven side it is supported through the backstop.

In case of additional need of lubrication or at failure of the machine drive, the shaft can be activated by the crank handle. Thus all functions of the indexing element and overrunning clutch are reversed.



Shaft		Extract of DIN 7160														
Normal Size mm	Above To	Shaft Tolerance in 0.001 mm = .000039 inch														
		3	6	10	18	30	50	80	120	180	250					
		6	10	18	30	50	80	120	180	250	315					
Tolerance Zone	5	0	0	0	0	0	0	0	0	0	0					
h	5	- 5	- 6	- 8	- 9	- 11	- 13	- 15	- 18	- 20	- 23					
	6	0	0	0	0	0	0	0	0	0	0					
	6	- 8	- 9	- 11	- 13	- 16	- 19	- 22	- 25	- 29	- 32					
	6	+ 4	+ 4.5	+ 5.5	+ 6.5	+ 8	+ 9.5	+ 11	+ 12.5	+ 14.5	+ 16					
js	6	- 4	- 4.5	- 5.5	- 6.5	- 8	- 9.5	- 11	- 12.5	- 14.5	- 16					
	7	+ 6	+ 7.5	+ 9	+ 10.5	+ 12.5	+ 15	+ 17.5	+ 20	+ 23	+ 26					
	7	- 6	- 7.5	- 9	- 10.5	- 12.5	- 15	- 17.5	- 20	- 23	- 26					
	5	+ 6	+ 7	+ 9	+ 11	+ 13	+ 15	+ 18	+ 21	+ 24	+ 27					
k	5	+ 1	+ 1	+ 1	+ 2	+ 2	+ 2	+ 3	+ 3	+ 4	+ 4					
	6	+ 9	+ 10	+ 12	+ 15	+ 18	+ 21	+ 25	+ 28	+ 33	+ 36					
	6	+ 1	+ 1	+ 1	+ 2	+ 2	+ 2	+ 3	+ 3	+ 4	+ 4					
	6	+ 16	+ 19	+ 23	+ 28	+ 33	+ 39	+ 45	+ 52	+ 60	+ 66					
n	6	+ 8	+ 10	+ 12	+ 15	+ 17	+ 20	+ 23	+ 27	+ 31	+ 34					
	7	+ 20	+ 25	+ 30	+ 36	+ 42	+ 50	+ 58	+ 67	+ 77	+ 86					
	7	+ 8	+ 10	+ 12	+ 15	+ 17	+ 20	+ 23	+ 27	+ 31	+ 34					
Housing		Extract of DIN 7161														
Normal Size mm	Above To	Housing Tolerance in 0.001 mm = .000039 inch														
		3	6	10	18	30	50	80	120	180	250					
		6	10	18	30	50	80	120	180	250	315					
Tolerance Zone	6	+ 8	+ 9	+ 11	+ 13	+ 16	+ 19	+ 22	+ 25	+ 29	+ 32					
H	6	0	0	0	0	0	0	0	0	0	0					
	7	+ 12	+ 15	+ 18	+ 21	+ 25	+ 30	+ 35	+ 40	+ 46	+ 52					
	7	0	0	0	0	0	0	0	0	0	0					
	7	- 4	- 4	- 5	- 7	- 8	- 9	- 10	- 12	- 14	- 14					
N	7	- 16	- 19	- 23	- 28	- 33	- 39	- 45	- 52	- 60	- 66					
Keyway and Key		Extract of DIN 6885 Bl. 1														
Normal Size Shaft mm	Above To	Keyway Tolerance in 0.001 mm = .000039 inch														
		8	10	12	17	22	30	38	44	50	58	65	75	85	95	110
		10	12	17	22	30	38	44	50	58	65	75	85	95	110	130
Keysize (Width x Height)		3x3	4x4	5x5	6x6	8x7	10x8	12x8	14x9	16x10	18x11	20x12	22x14	25x14	28x16	32x18
Tolerance Zone P9 for keyway width		- 6		- 12		- 15		- 18		- 22		- 26		- 31		- 38
		- 31		- 42		- 51		- 61		- 74		- 88				
Depth of keyway (shaft)		1.8	2.5	3	3.5	4	5	5	5.5	6	7	7.5	9	9	10	11
Depth of keyway (hub)		1.4	1.8	2.3	2.8	3.3	3.3	3.3	3.8	4.3	4.4	4.9	5.4	5.4	6.4	7.4
Tolerance Depth (shaft)		+ 100					+ 200									
Keyway and Key		Extract of DIN 6885 Bl. 3														
Normal Size Shaft mm	Above To	Keyway Tolerance in 0.001 mm = .000039 inch														
		8	10	12	17	22	30	38	44	50	58	65	75	85	95	110
		10	12	17	22	30	38	44	50	58	65	75	85	95	110	130
Keysize (Width x Height)				5x3	6x4	8x5	10x6	12x6	14x6	16x7	18x7	20x8	22x9	25x9	28x10	32x11
Depth of keyway (shaft)				1.9	2.5	3.1	3.7	3.9	4	4.7	4.8	5.4	6	6.2	6.9	7.6
Depth of keyway (hub)				1.2	1.6	2	2.4	2.2	2.1	2.4	2.3	2.7	3.1	2.9	3.2	3.5
Tolerance Depth (shaft)		+ 100					+ 200									

With this catalog we showed to you the most important facts about design, function and application of GMN Sprag-Type Freewheel-Clutches Series 400.

It was our intention to give to you some guidelines for the right choice and the correct use of our clutches.

If you are in doubt, whether you have chosen the right clutch element or if you have some additional questions for solving your clutch problem, please do not hesitate to contact our technical staff. We will answer your questions and will discuss your problems with you without any obligation and free of any charges.

Please trust in our experience, because we are offering solutions for clutch problems for many, many years and our philosophy is not only to sell clutches but to satisfy our customers by offering the best solution from the technical side as well as pricewise.

If you have a certain clutch problem, please send as much information as possible, to enable us to find the best product for your application.

Roller-Ramp-Clutches

In addition to our Sprag-Type-Clutches of series 400 and 8000 GMN offer a large variety of Roller-Ramp-Clutches. Below you will find a list of interchanges with other brands. For more detailed information ask for catalog 9082 E.



GMN	Other brands		
VS	NSS	AS	BSS
VSNU	NFS	ASNU	BFS
VF	NF	AE	BNF
VGF	NFR	ANG/ANR	BNFR
VGV	RS/BW	AV	RS/BF
VGL (P)	GFR N	AL (P)	GFRS (N)
VGL...F2-D2	GFR...F1-F2	AL...F2-D2	GFRS..D1-D2
VGL...F4-D2	GFR...F2-F7	AL...F4-D2	GFRS..D2-D7
VGL...F5-D2	GFR...F2-F3	AL...F5-D2	GFRS..D2-D3
VGL...F5-D3	GFR...F3-F4	AL...F5-D3	GFRS..D3-D4
VGL...KS-D2	GFR...ES-F2	AL. . KMS-D2	
VGL...F7-D7	GFRN..F5-F6	ALP..F7-D7	GFRSN.D5-D6

Conversion Factors

1 mm = 0.1 cm	1 g = 0.001 kg	1 Nm = 0.1019 kpm
1 mm = 0.00328 ft	1 g = 0.03527 oz	1 Nm = 0.737 ft lb
1 mm = 0.03937 in	1 g = 0.002205 lb	1 Nm = 141.5 oz in
1 in = 25.4 mm	1 oz = 28.35 g	1 oz in = 0.00707 Nm
1 ft = 304.8 mm	1 lb = 453.6 g	1 ft lb = 1.3567 Nm
1 ft = 12 in	1 lb = 16 oz	1 ft lb = 192 oz in
	1 kW = 1.34 hp	1 hp = 0.746 kW

Please contact:

Paul Müller GmbH & Co. KG
 Unternehmensbeteiligungen
 Äußere Bayreuther Straße 230
 D-90411 Nürnberg
 Bereich Freiläufe/Dichtungen
 Phone (09 11) 5691-414/-415/-417
 Telefax (09 11) 5691-569
 e-mail: vertrieb.at@gmn.de
 Internet: <http://www.gmn.de>

Our local representative

The new manufacturing programm

- Spindles
- High-precision ball bearings
- Clutches / Seals